

P.T.O.
1500 r.p.m. - IP 23 4 poles Brushless -AVR

GA AGRIPLUS 1-50

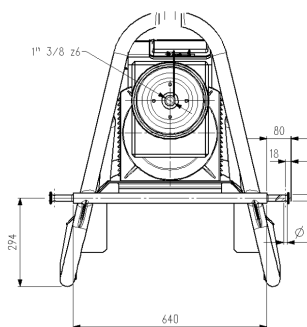
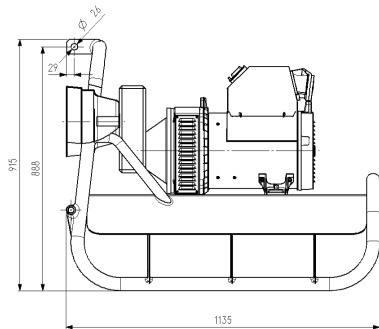
Technical data

		Three-phase 400V - 50Hz	Mono-phase 230V - 50Hz
Power	kVA	50	20
Active power	kW	40	16
Current	%	90.7	
Gear box	Ratio	1:3.5	
Driving power	kW	45.5	
Tractor power	HP	144	
P.T.O. speed	r.p.m.	430	
P.T.O. sizing Cardan	Nm	1498	
	kW	85	
Dimensions (LxWxH)	Mm	1135 x 640 x 915	
Weight	Kg	298	



Environmental conditions

Temperature	°C	25
Relative humidity	%	30
Maximum altitude	Mt	1000



EQUIPMENT

Alternator stabilized, high performance
Gear box
Raised chassis
3-point-connection frame
Control panel
EC Protections

CONTROL PANEL ON BOARD

Digital instrument:

- Voltmeter
- Frequencymeter
- Ammeter
- Hour counter

Protections

4-pole magnetothermic switch
Differential protection (Id=0,03A)
2 pole magnetothermic switch
IP65 cover

Outputs

1 CEE 400V (3P+N+E) 125A
1 CEE 230V (2P+E) 32A
1 Schuko

DOCUMENTATION

User and maintenance manual
EC Declaration of Conformity

APPLICATIONS



AGRICULTURAL

