
**P.T.O.**
**1500 r.p.m. - IP 23 4 poles Brushless -AVR**

# GA AGRIPLUS 1-80

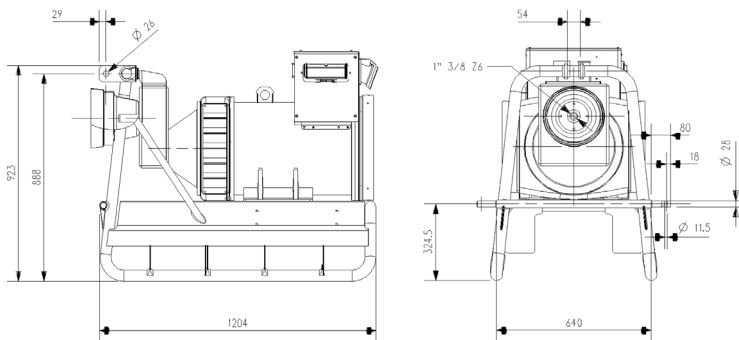
## Technical data

		Three-phase 400V - 50Hz	Mono-phase 230V - 50Hz
Power	kVA	<b>80</b>	<b>32</b>
Active power	kW	<b>64</b>	<b>25.6</b>
Current	%	<b>90.1</b>	
Gear box	Ratio	<b>1:3.8</b>	
Driving power	kW	<b>72.7</b>	
Tractor power	HP	<b>247</b>	
P.T.O. speed	r.p.m.	<b>400</b>	
P.T.O. sizing Cardan	Nm	<b>2603</b>	
	kW	<b>147</b>	
Dimensions (LxWxH)	Mm	<b>1204 x 640 x 923</b>	
Weight	Kg	<b>362</b>	



## Environmental conditions

Temperature	°C	<b>25</b>
Relative humidity	%	<b>30</b>
Maximum altitude	Mt	<b>1000</b>



## EQUIPMENT

Alternator stabilized, high performance  
 Gear box  
 Raised chassis  
 3-point-connection frame  
 Control panel  
 EC Protections

## CONTROL PANEL ON BOARD

### Digital instrument:

- Voltmeter  
 - Frequncymeter  
 - Ammeter  
 - Hour counter

### Protections

Single phase thermal protection  
 4-pole magnetothermic switch  
 Differential protection (Id=0,03A)  
 2 pole magnetothermic switch  
 IP65 cover

### Outputs

1 CEE 400V (3P+N+E) 125A  
 1 CEE 230V (2P+E) 32A  
 1 Schuko

## DOCUMENTATION

User and maintenance manual  
 EC Declaration of Conformity

## APPLICATIONS



AGRICULTURAL

