
P.T.O.
1500 r.p.m. - IP 23 4 poles Brushless - AVR

GA AGRIPLUS 1-93

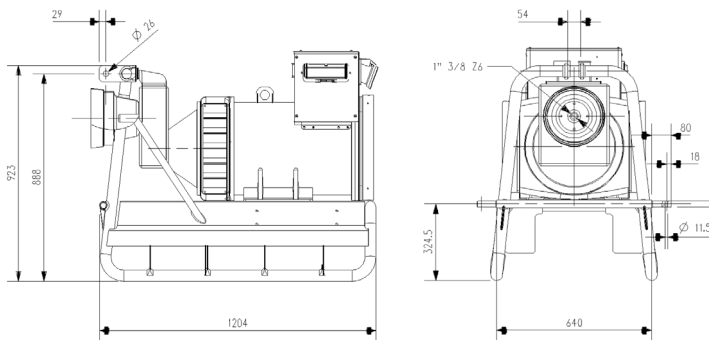
Technical data

		Three-phase 400V - 50Hz	Mono-phase 230V - 50Hz
Power	kVA	93	37
Active power	kW	74.4	29.6
Current	%	90.9	
Gear box	Ratio	1:3.8	
Driving power	kW	83.8	
Tractor power	HP	285	
P.T.O. speed	r.p.m.	400	
P.T.O. sizing Cardan	Nm	3000	
	kW	169	
Dimensions (LxWxH)	Mm	1204 x 640 x 923	
Weight	Kg	382	



Environmental conditions

Temperature	°C	25
Relative humidity	%	30
Maximum altitude	Mt	1000



EQUIPMENT

Alternator stabilized, high performance
 Gear box
 Raised chassis
 3-point-connection frame
 Control panel
 EC Protections

CONTROL PANEL ON BOARD

Digital instrument:

- Voltmeter
 - Frequencymeter
 - Ammeter
 - Hour counter

Protections

Single phase thermal protection
 4-pole magnetothermic switch
 Differential protection (Id=0,03A)
 2 pole magnetothermic switch
 IP65 cover

Outputs

1 CEE 400V (3P+N+E) 125A
 1 CEE 230V (2P+E) 32A
 1 Schuko



DOCUMENTATION

User and maintenance manual
 EC Declaration of Conformity

APPLICATIONS



AGRICULTURAL

