



P.T.O. 3000 r.p.m. - IP 23 2 poles Compound GA AGRIPPLUS 3-27



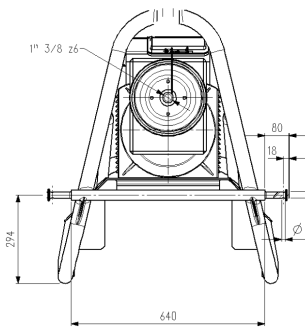
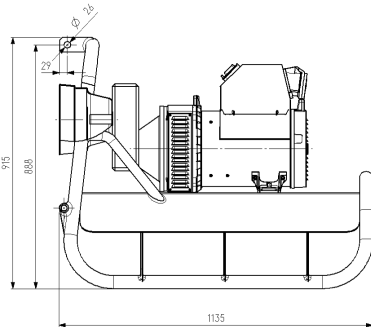
Technical data

		Three-phase 400V - 50Hz	Mono-phase 230V - 50Hz
Power	kVA	27	10.8
Active power	kW	21.6	8.64
Current	%		85
Gear box	Ratio		1:6.9
Driving power	kW		26.2
Tractor power	HP		83
P.T.O. speed	r.p.m.		430
P.T.O. sizing Cardan	Nm		863
	kW		49
Dimensions (LxWxH)	Mm	1135 x 640 x 915	
Weight	Kg	149	



Environmental conditions

Temperature	°C	25
Relative humidity	%	30
Maximum altitude	Mt	1000



EQUIPMENT

Alternator stabilized, high performance
Gear box
Raised chassis
3-point-connection frame
Control panel
EC Protections

CONTROL PANEL ON BOARD

Digital instrument:

- Voltmeter
- Frequency meter
- Ammeter
- Hour counter

Protections

2-pole magnetothermic switch
4-pole magnetothermic switch
Differential protection (Id=0,03A)
IP65 cover

Outputs

1 CEE 400V (3P+N+E) 63A
1 CEE 230V (2P+E) 16A

DOCUMENTATION

User and maintenance manual
EC Declaration of Conformity

APPLICATIONS



AGRICULTURAL

